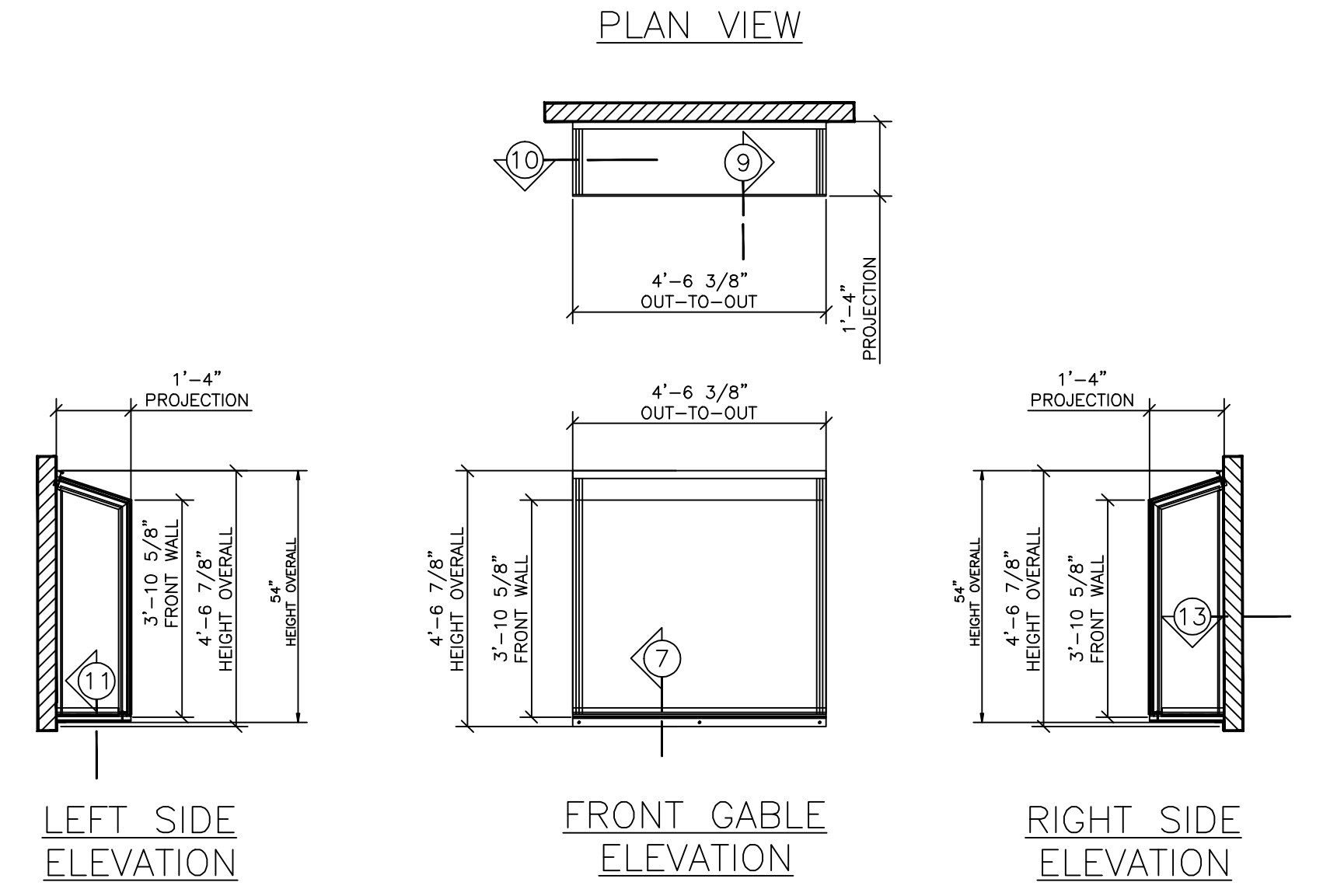
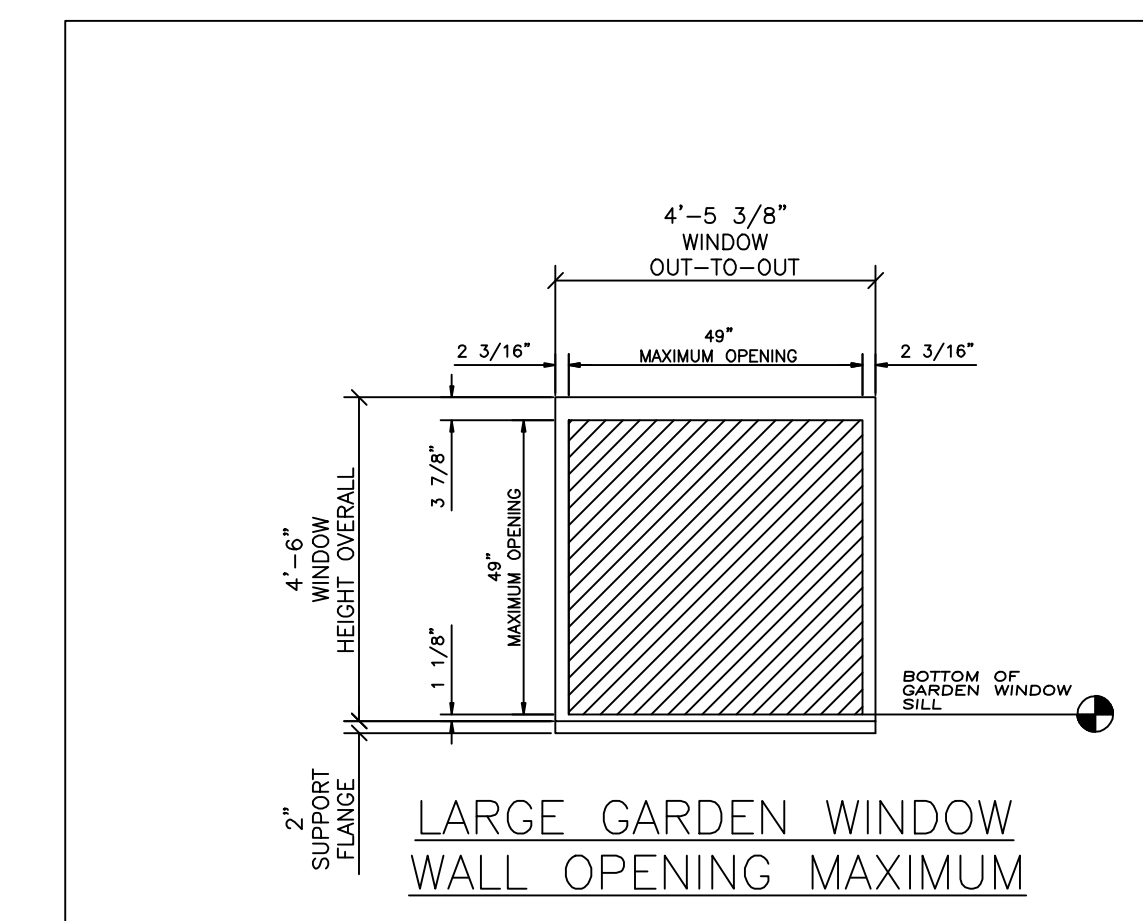
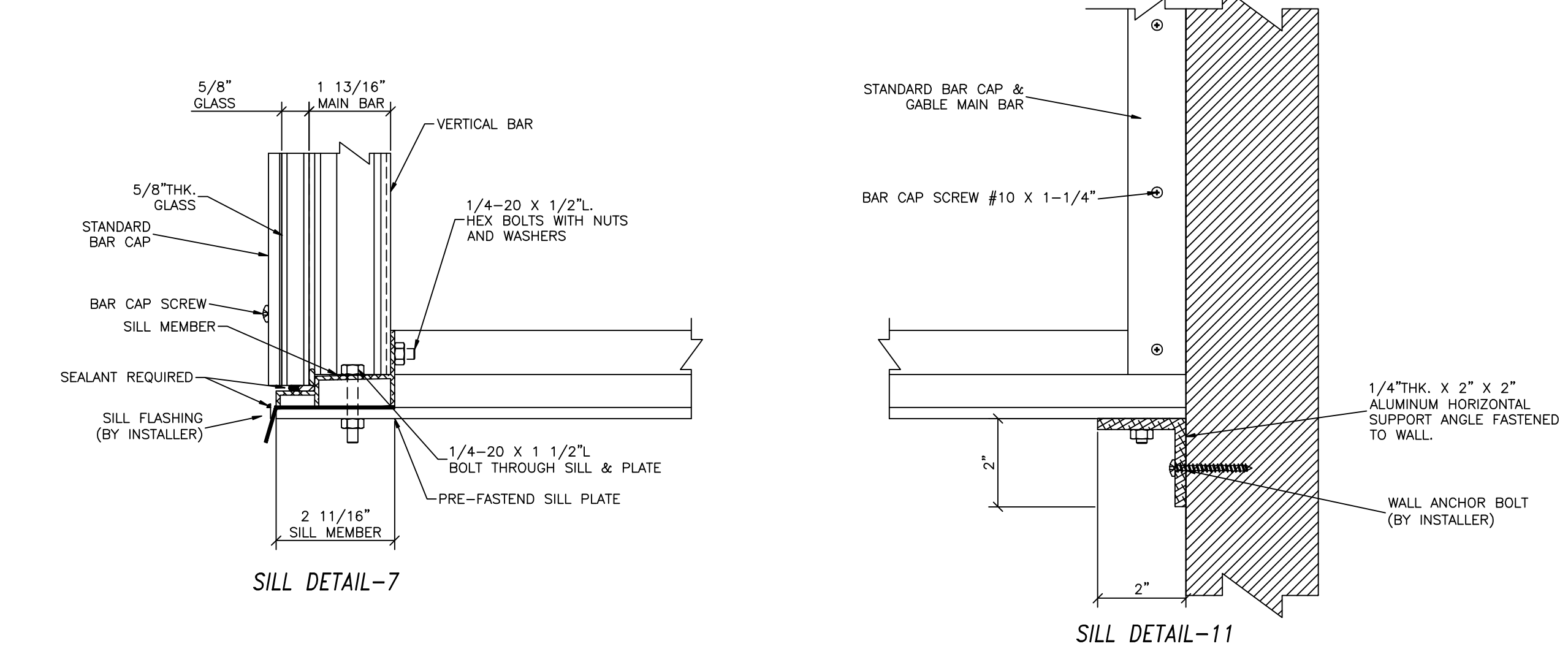
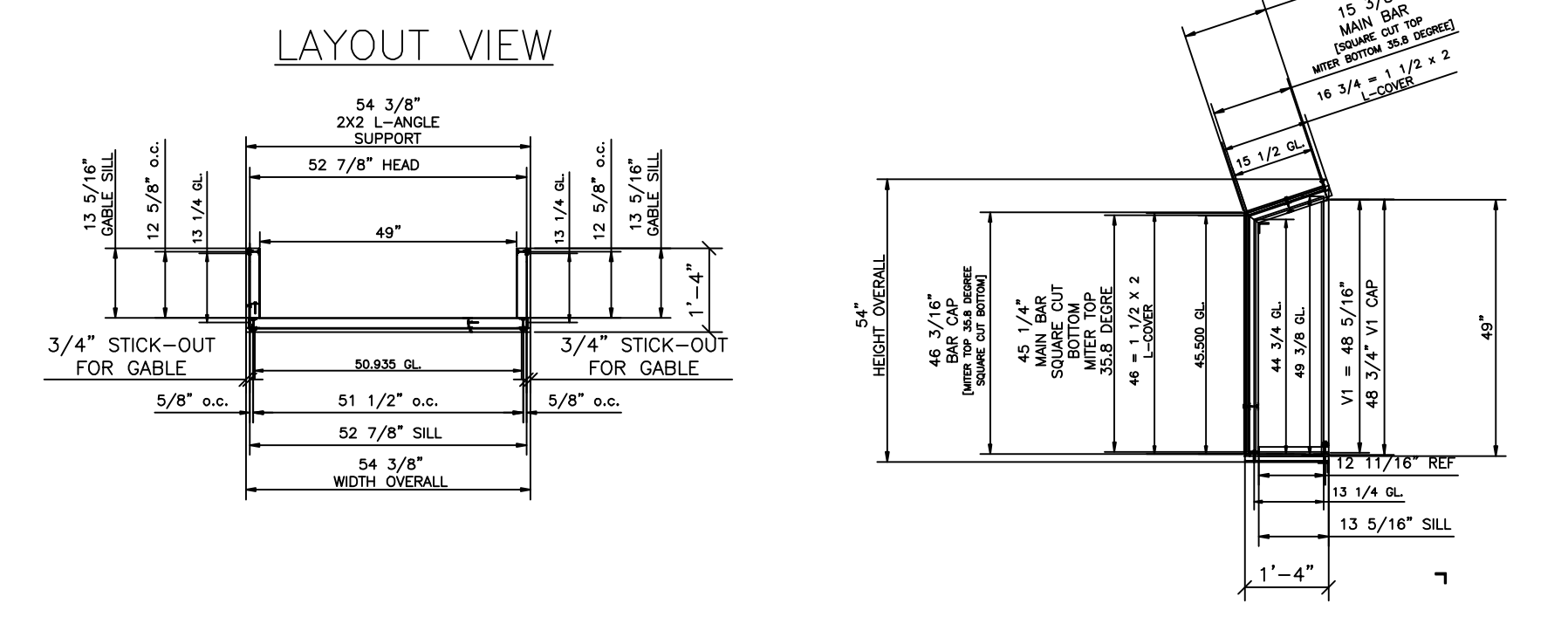
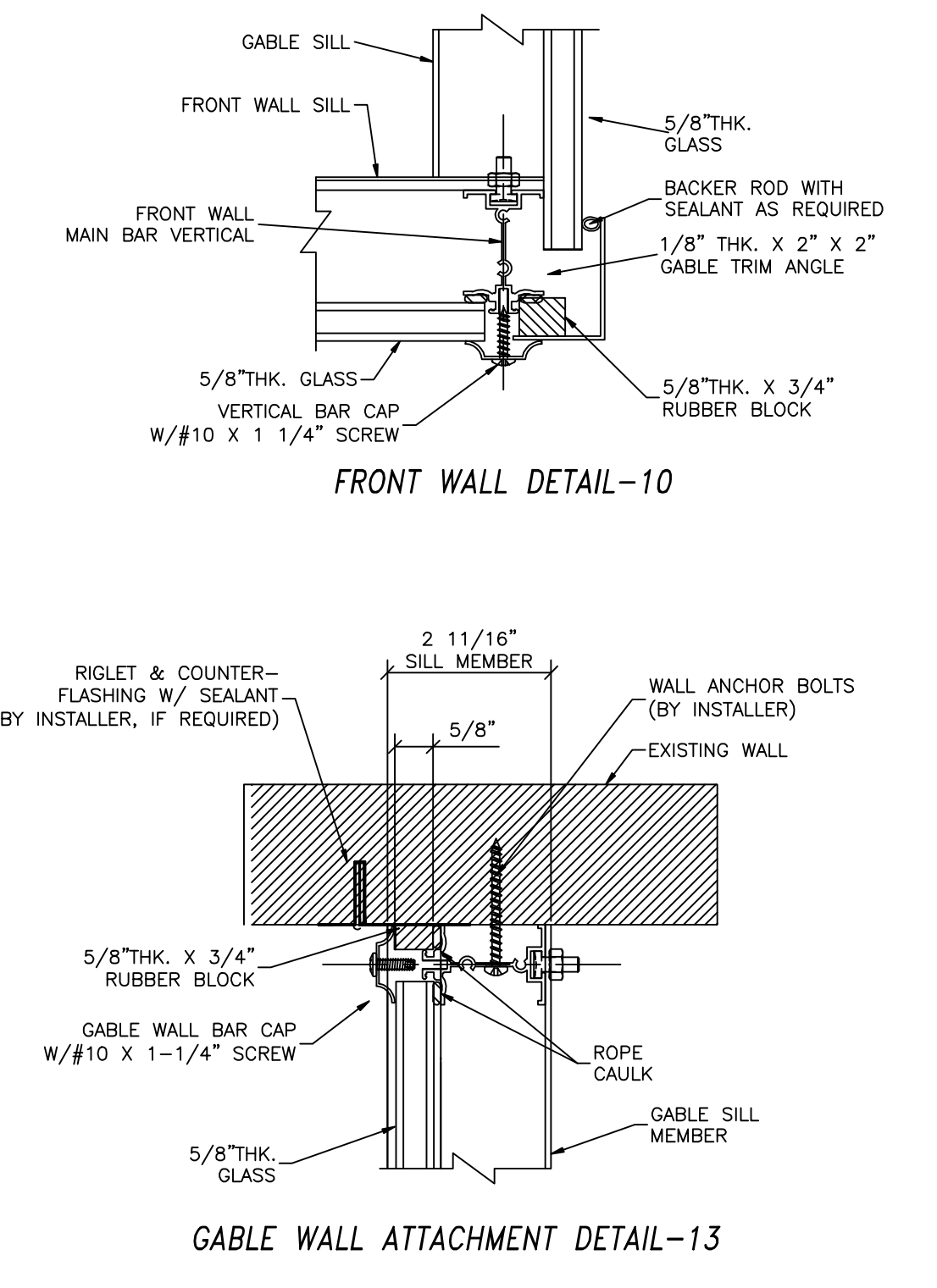
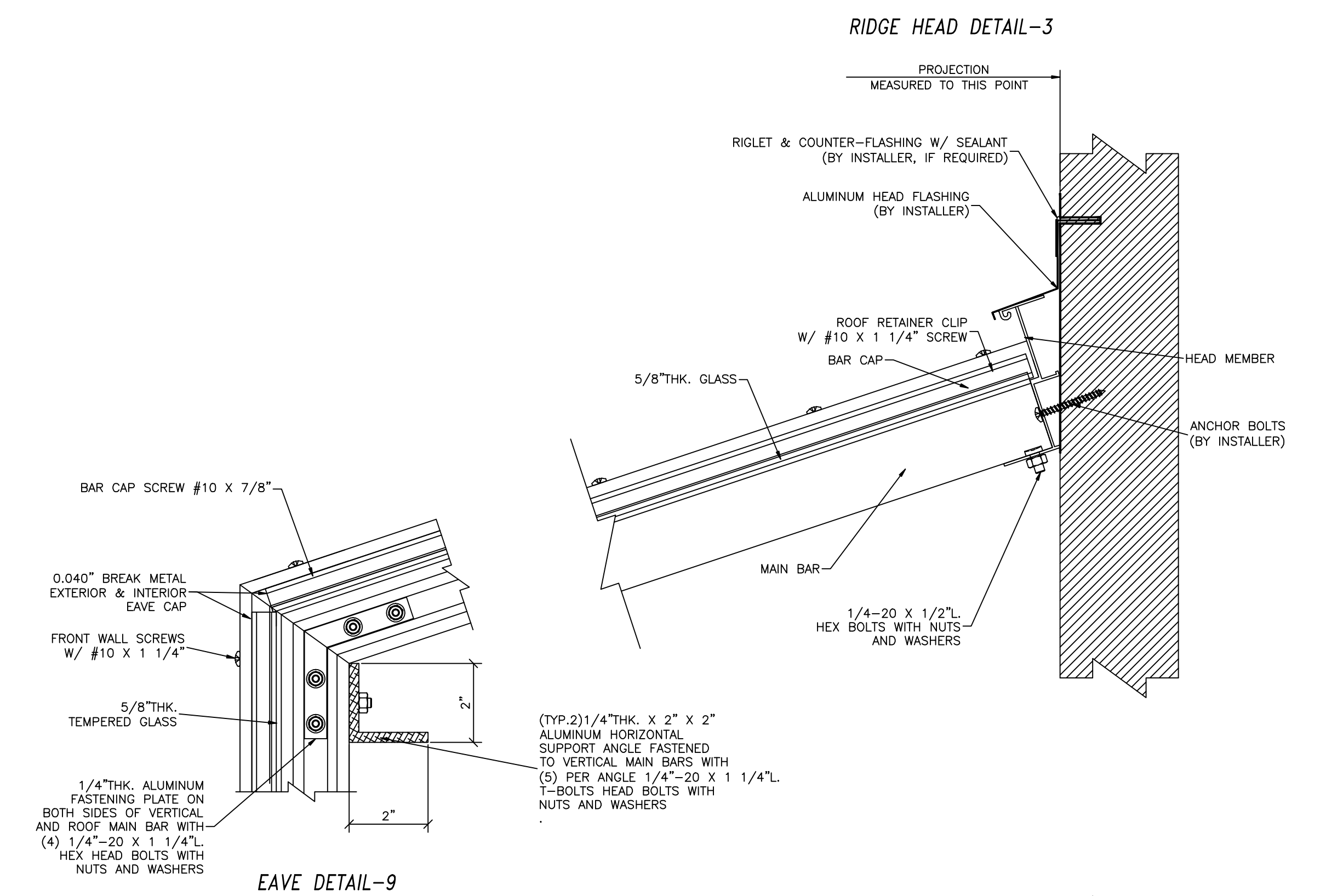


| REV | DESCRIPTION | REVISIONS AND APPROVAL | DATE | APPROVED |
|-----|-------------|------------------------|------|----------|
| | | | | |
| | | | | |



NOTE: THE INSTRUCTION MANUAL CONTAINS GENERAL GUIDELINES FOR INSTALLATION OF A JANCO GREENHOUSE UNIT. IT IS BASED ON A STANDARD, OUT-OF-THE-BOOK GREENHOUSE BEING INSTALLED ON A PREPARED SITE. FOR PROPER INSTALLATION, THIS MANUAL MUST BE USED IN CONJUNCTION WITH THE CUSTOMER-APPROVED DRAWINGS (CONTAINING SPECIFIC DETAILS) AND THE INCLUDED GREENHOUSE PACKING LIST WITH ATTACHED GLASS/METAL LAYOUT SHEETS. JANCO GREENHOUSE ASSUMES NO RESPONSIBILITY FOR ANY INSTALLATION OR SITE PREPARATION, OR FOR ANY DISCREPANCIES BETWEEN THE CUSTOMER-APPROVED BLUEPRINTS AND THE INSTALLATION SITE. ANY SITE ADJUSTMENTS FOR THE GREENHOUSE TO FIT PROPERLY MUST BE MADE BEFORE INSTALLATION IS STARTED. PLEASE CHECK WITH LOCAL BUILDING CODES FOR REQUIREMENTS OF WALL CONSTRUCTION, HEADERS, ANCHORS, ETC. DURING INSTALLATION, SEALANT (NOT PROVIDED) MUST BE APPLIED AT ALL EXPOSED MATERIAL JOINTS INCLUDING, BUT NOT LIMITED TO, SILL ANCHOR HOLES, SILL UNDERSIDE AND ENDS, SILL AND HEAD MEMBER SPICE JOINTS, DOOR HEADERS, BACK-TO-BACK RIDGES, ALL FLAT CAP/GLAZING JUNCTIONS, HORIZONTAL-TO-VERTICAL METAL JUNCTIONS, AND RUBBER JOINTS. RECOMMENDED SEALANT IS ONE-PART URETHANE OR SILICONE (GRADE 795 OR BETTER) CAULK. ONCE INSTALLATION IS COMPLETED, AND ALL SEALANT HAS PROPERLY DRIED (SEE SEALANT MFG'S RECOMMENDATIONS), THE ENTIRE GREENHOUSE MUST BE WATER TESTED WITH A HOSE AND NOZZLE. THE WATER SHOULD BE AIMED TO SIMULATE MODERATE-TO-HEAVY RAINS, AND SHOULD BE TESTED FROM THE BOTTOM OF THE GREENHOUSE UP TOWARDS THE TOP. IF THERE IS ANY WATER INFILTRATION, THE TEST CAN BE STOPPED, THE AREA REPAIRED, AND, AFTER THE SEALANT HAS PROPERLY DRIED, THE TESTING RESUMED.

FOR QUESTIONS REGARDING MISSING/DAMAGED MATERIALS, PLEASE CALL YOUR SALESMAN.

****APPROVAL NOTE****

BASED ON OUR INTERPRETATION OF THE PROJECT PLANS AND THE SPECIFICATIONS WHICH HAVE BEEN MADE AVAILABLE TO US, WE HAVE PREPARED THESE SHOP DRAWINGS TO ILLUSTRATE OUR UNDERSTANDING OF WHAT HAS BEEN ORDERED, AND WHAT WE INTEND TO FURNISH.

BEFORE WE CAN ACTIVATE THIS ORDER FOR PRODUCTION, WE NEED THE APPROVAL OF:

- THE ARCHITECT DESIGNER OF THE PROJECT, INDICATING THAT THESE DRAWINGS COMPLY WITH THE PLANS AND SATISFY ALL RELATED DESIGN SPECIFICATIONS, AND
- THE CONTRACTOR OR SUCH OTHER PERSON RESPONSIBLE FOR THE SITE PREPARATION, INDICATING THAT WE CAN PROCEED TO MANUFACTURE THE MATERIALS RELYING ON THEIR ASSURANCE THAT THE SITE HAS BEEN OR WILL BE PREPARED IN ACCORDANCE WITH ALL DIMENSIONS CONTAINED IN THESE SHOP DRAWINGS.

PLEASE TAKE THIS APPROVAL PROCESS SERIOUSLY, AND REVIEW CAREFULLY FOR ACCURACY AND NOTE ANY EXCEPTION, OMISSIONS, AND OR CHANGES REQUIRED. ONCE THESE DRAWINGS HAVE BEEN APPROVED, THEY WILL SERVE AS THE BASIS FOR MANUFACTURING AND THE RESULTING FULFILLMENT OF OUR CONTRACTUAL OBLIGATIONS.

UNDERSTOOD AND APPROVED:

(1) AS TO DESIGN SPECIFICATIONS: _____ (2) AS TO SITE PREPARATION: _____

DATE: _____ DATE: _____

CHECK ONE OF THE FOLLOWING:

_____**APPROVED W/NO CHANGES**

_____**APPROVED AS NOTED**

_____**REVISE & RESUBMIT**

Garden Window

1 - STANDARD PANEL @ 51 1/2"

2 - LEFT & RIGHT GABLE ENDS

GREENHOUSE SPECIFICATIONS

ROOF GLASS [BETTER]: MC LOW-E TEMPERED SAFETY OVER CLEAR TEMPERED SAFETY (1/2" O.A. THICKNESS)

WALL GLASS [BETTER]: MC LOW-E TEMPERED SAFETY OVER CLEAR TEMPERED SAFETY (1/2" O.A. THICKNESS)

FINISH: FRAME FINISH TO BE MILL FINISH

GASKETS: ROPE PUTTY

FLASHING: STANDARD FLASHING INCLUDED

© 2021 JANCO INC.

Janco GREENHOUSES AND GLASS STRUCTURES

Laurel Lane Enterprises L.L.C. (410) 392-7875
3333 SOUTH FRASER ST, GEORGETOWN, SC 29440 Fax: (843) 261-5378

| | | |
|----------------------|-------------------------|----------------|
| DRAWN/CHK'D: RMK | CUSTOMER: CUSTOMER INFO | END USER: SAME |
| ISSUED 05/17/2021 | | |
| CODE IDENT NO XXXXXX | | |
| DWG NO RK-2222 | SCALE: 3/8" = 1'-0" | SHEET 1 OF 1 |