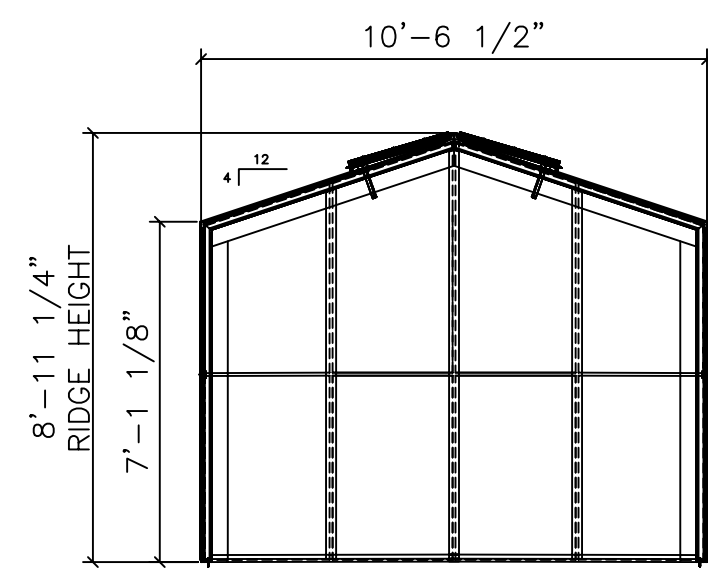
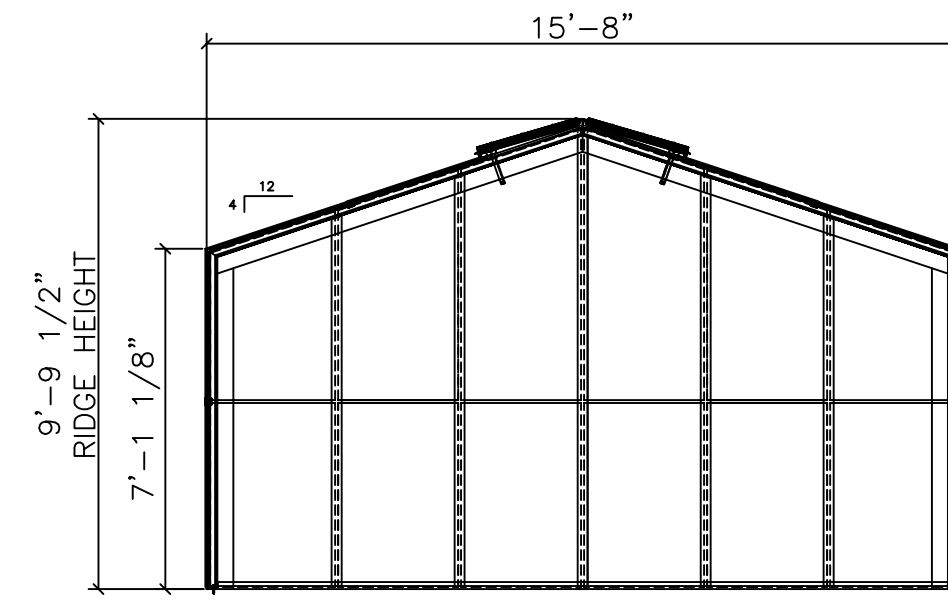


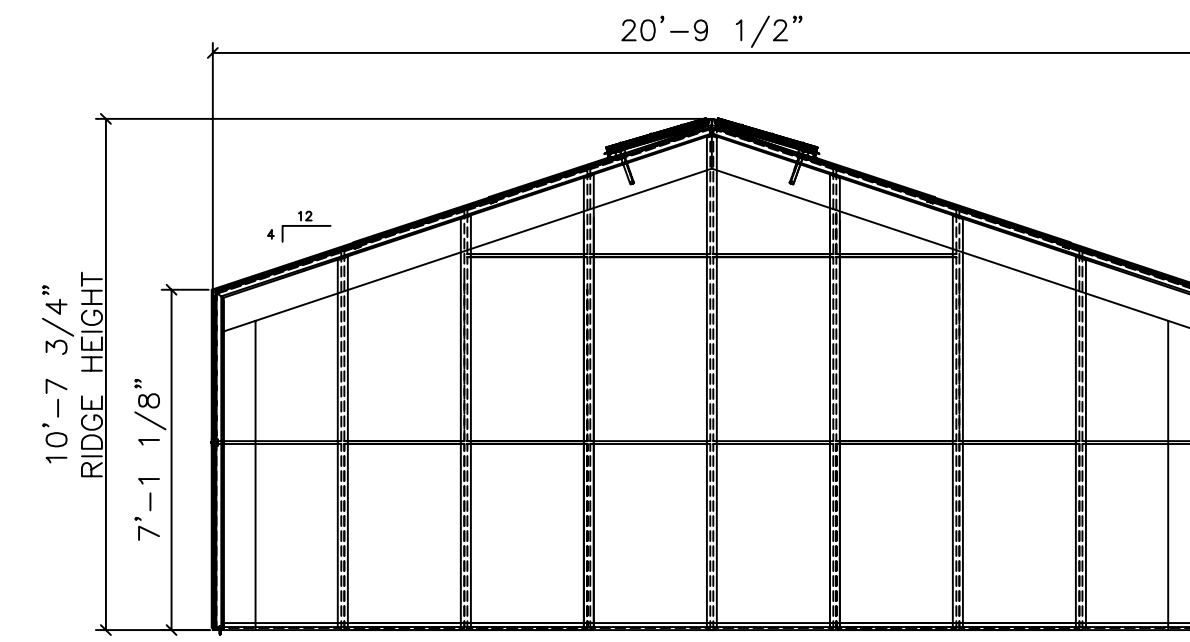
Standard Straight eave Back-to-Back Sizes



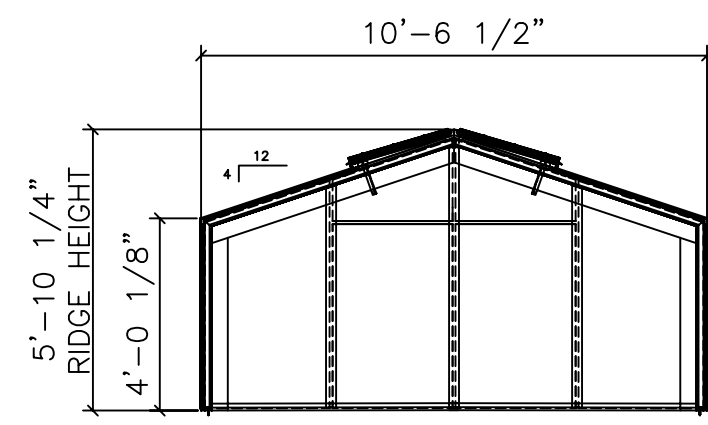
CAMELLIA 11



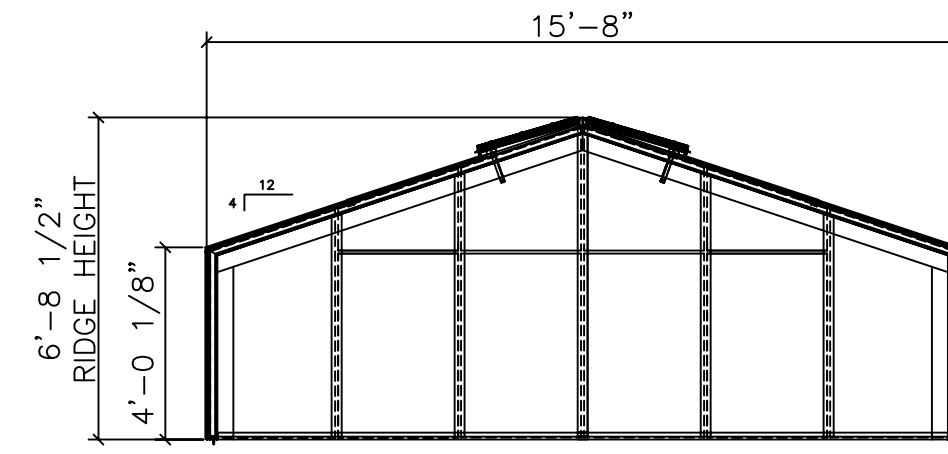
CAMELLIA 16



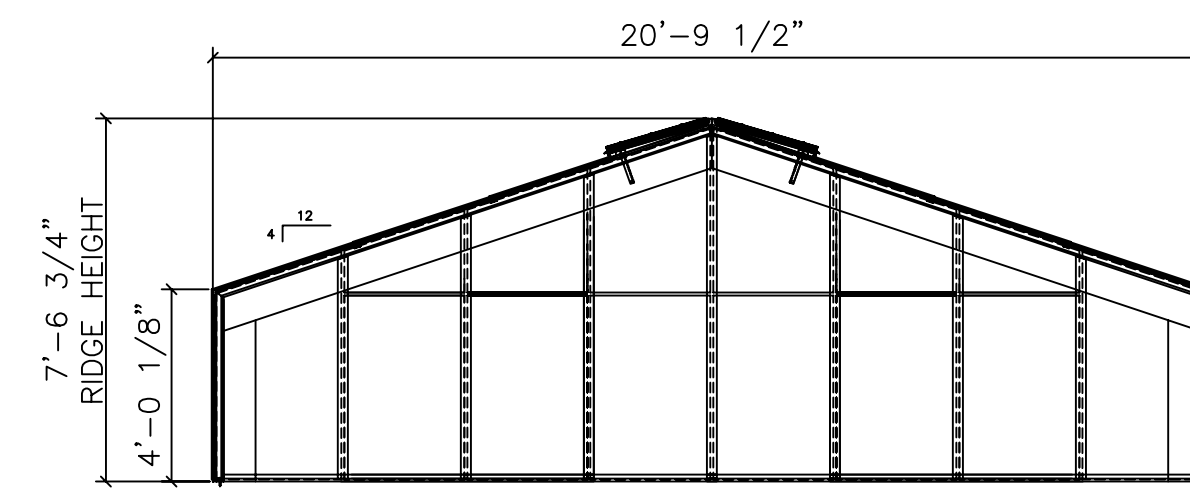
CAMELLIA 21



RANCHER 11

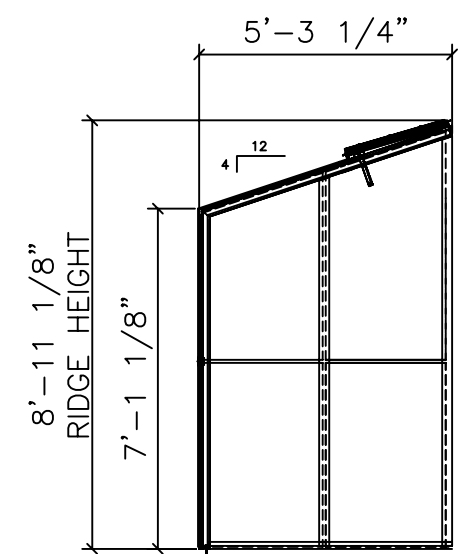


RANCHER 16

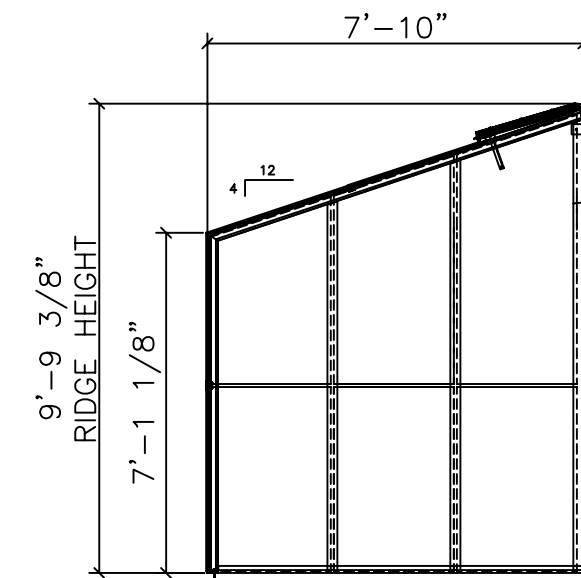


RANCHER 21

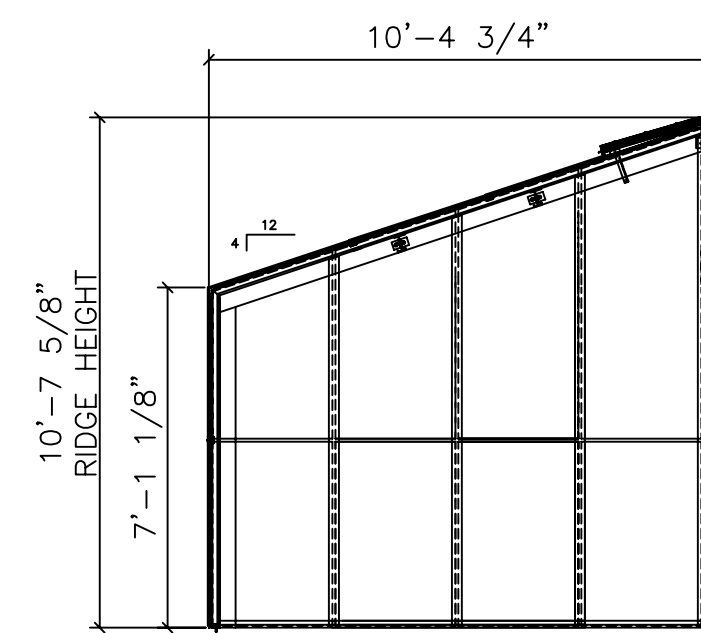
Standard Straight eave Lean-To Sizes



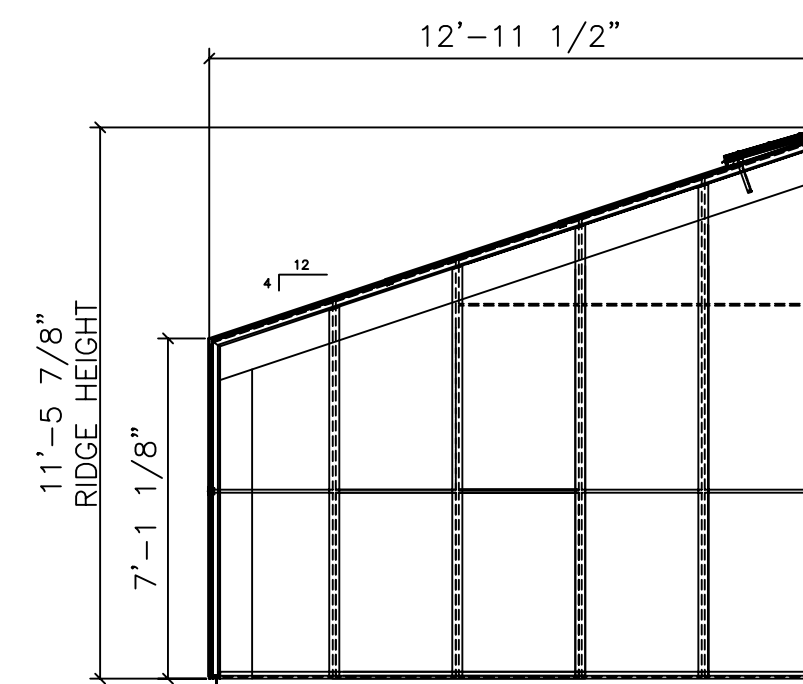
CAMELLIA 6



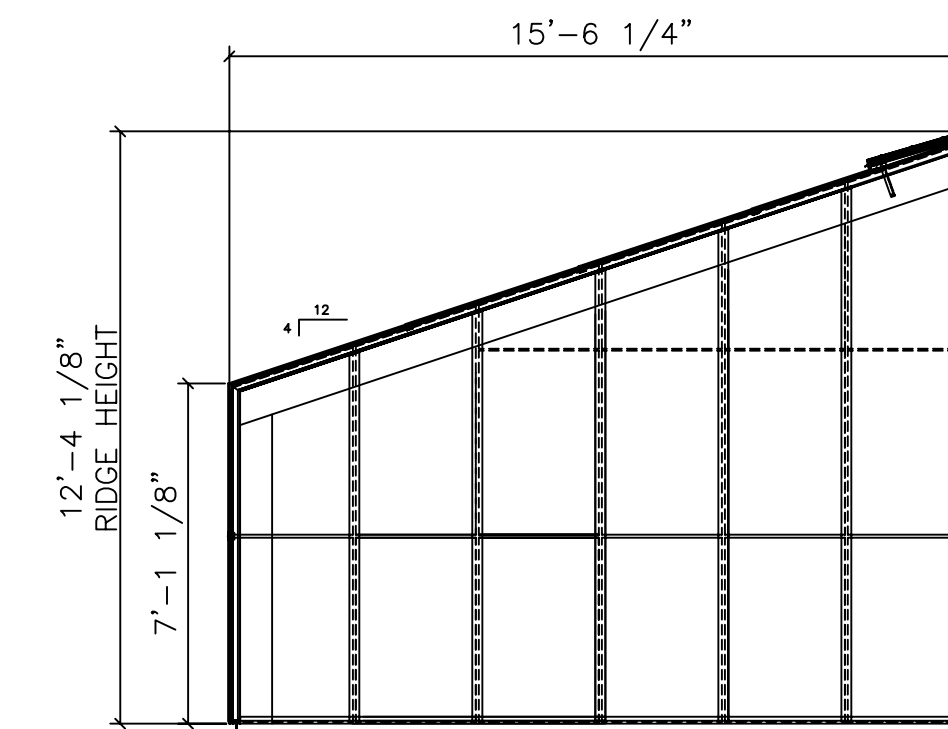
CAMELLIA 8



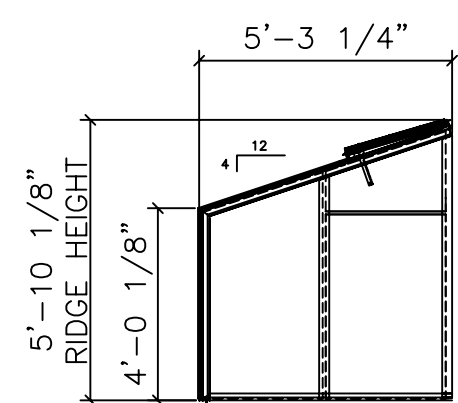
CAMELLIA 10



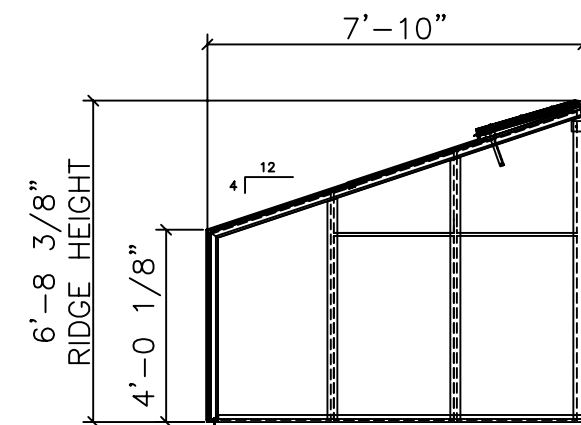
CAMELLIA 13



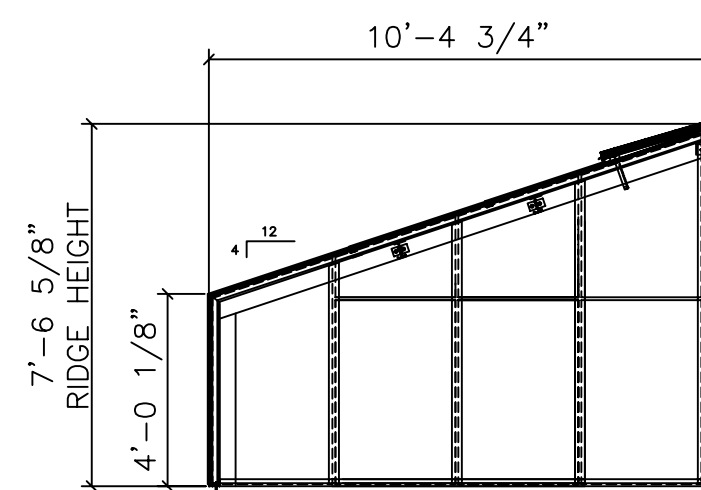
CAMELLIA 15



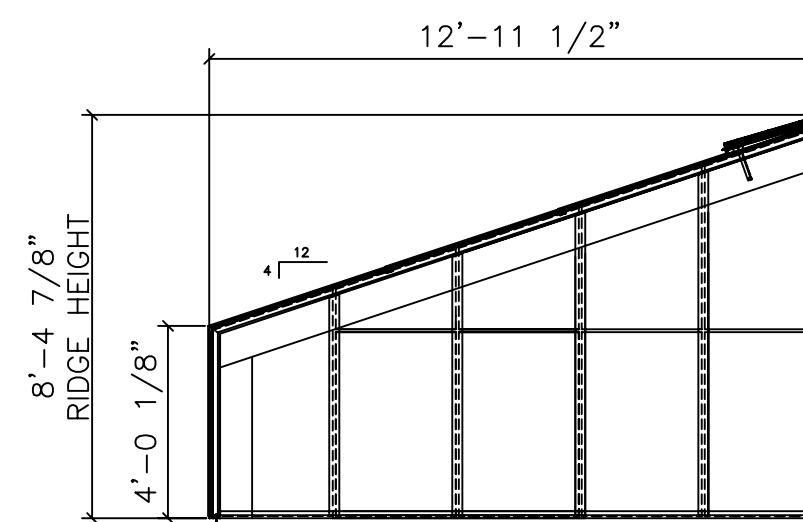
RANCHER 6



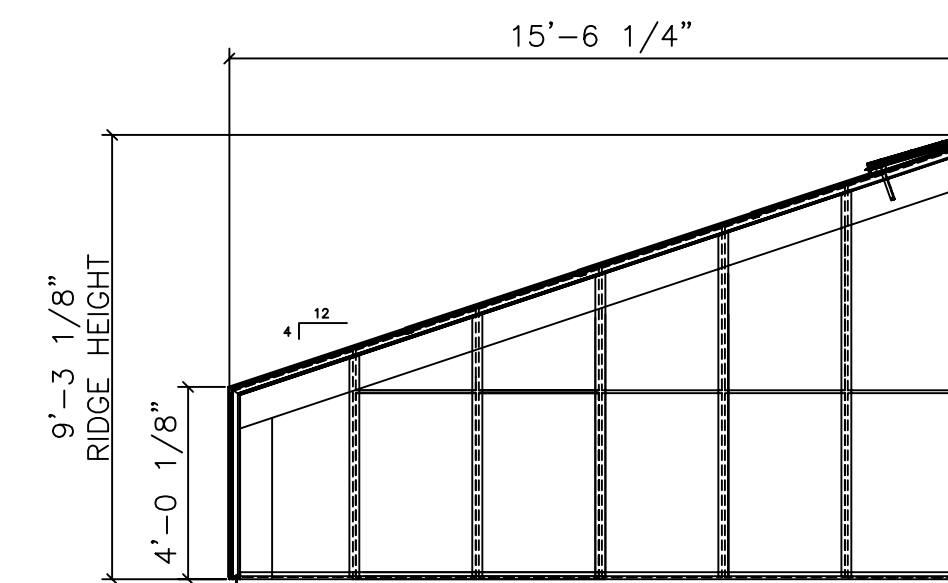
RANCHER 8



RANCHER 10



RANCHER 13



RANCHER 15

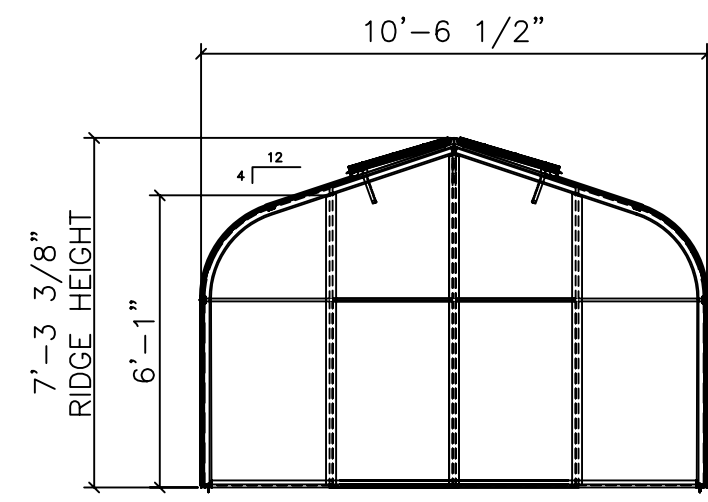
DRAWN/CHK'D: RMK	CUSTOMER: STANDARD SIZES	END USER: STRAIGHT EAVE MODELS
ISSUED: 3/07/16		
CODE IDENT NO: 2222		
DWG NO: RK-1	SCALE: 1/4" = 1'-0"	SHEET 1 OF 2

Standard Length of System Sections

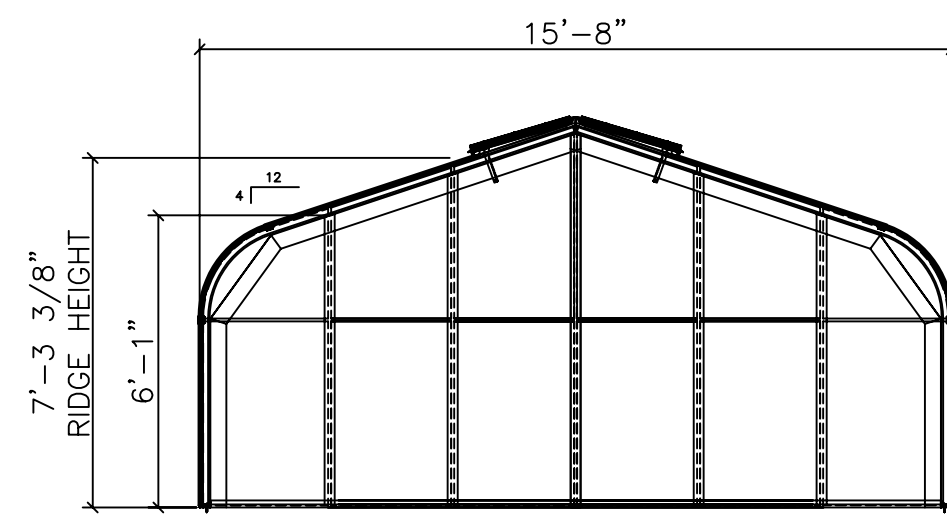
NO. of Sections	Length
1	2'-10-3/4"
2	5'-5-1/2"
3	8'-1/4"
4	10'-7"
5	13'-1-3/4"
6	15'-8-1/2"
7	18'-3-1/4"
8	20'-10"
9	23'-4-3/4"
10	25'-11-1/2"
11	28'-6-1/4"
12	31'-1"
13	33'-7-3/4"
14	36'-2-1/2"
15	38'-9-1/4"
16	41'-4"
17	43'-10-3/4"
18	46'-5-1/2"
19	49'-1/4"
20	51'-7"
21	54'-1-3/4"
22	56'-8-1/2"
23	59'-3-1/4"
24	61'-10"
25	64'-4-3/4"
26	66'-11-1/2"
27	69'-6-1/4"
28	72'-1"
29	74'-7-3/4"
30	77'-2-1/2"
31	79'-9-1/4"
32	82'-4"
33	84'-10-3/4"
34	87'-5-1/2"
35	90'-1/4"
36	92'-7"
37	95'-1-3/4"
38	97'-8-1/2"
39	100'-3-1/4"
40	102'-10"

Add on Per Panel 30-3/4"

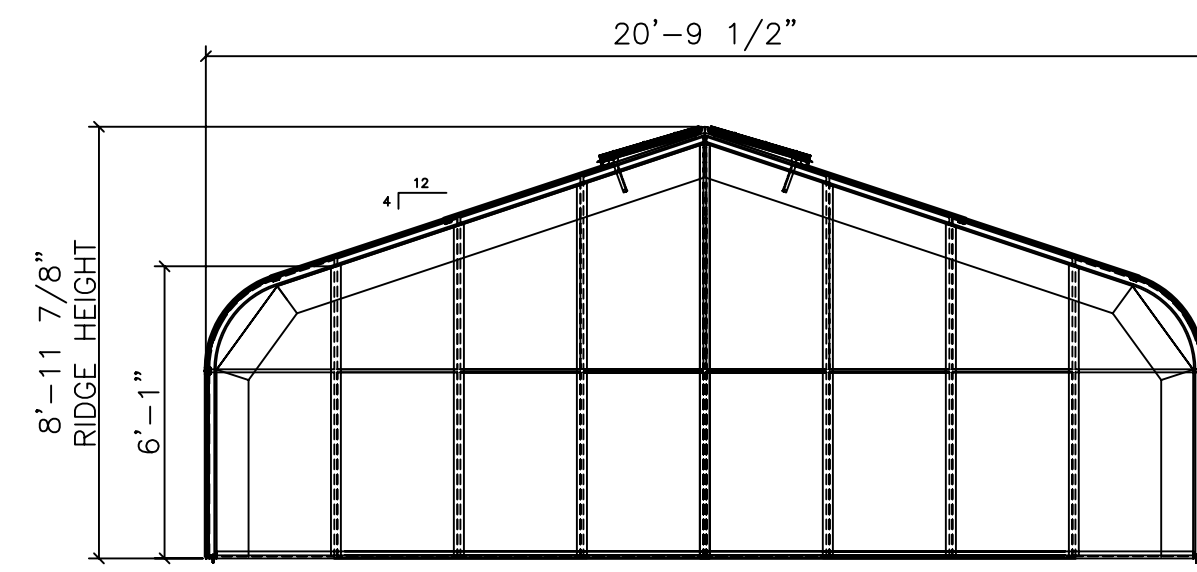
Standard Curved eave Back-to-Back Sizes



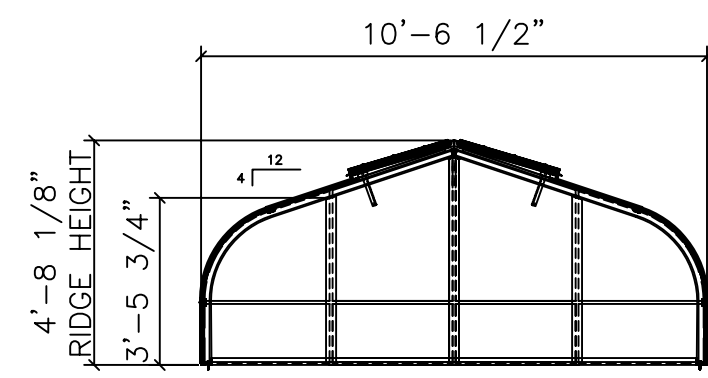
CAMELLIA 11



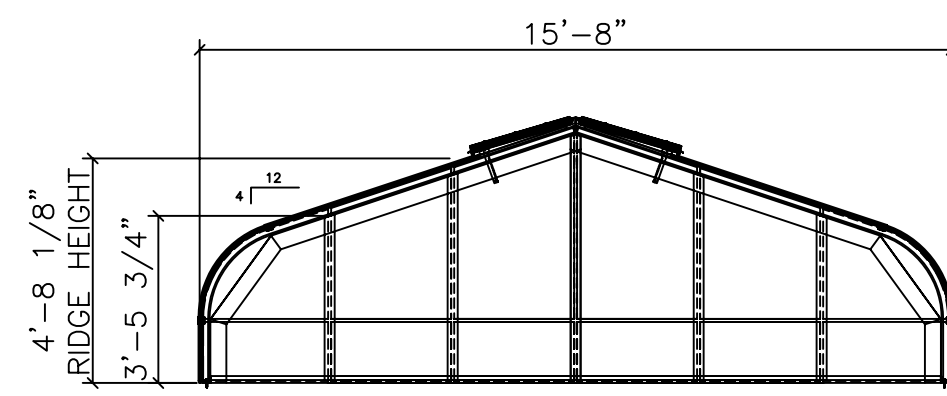
CAMELLIA 16



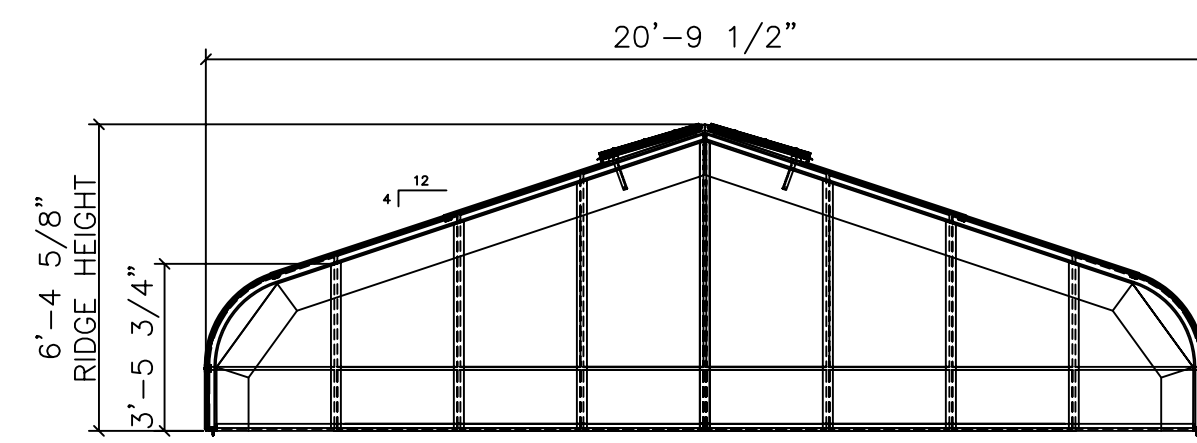
CAMELLIA 21



RANCHER 11

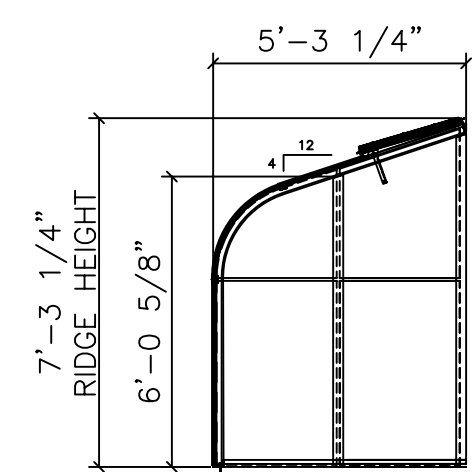


RANCHER 16

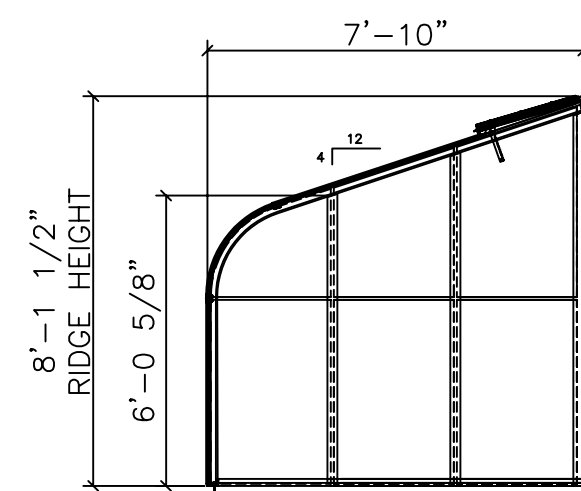


RANCHER 21

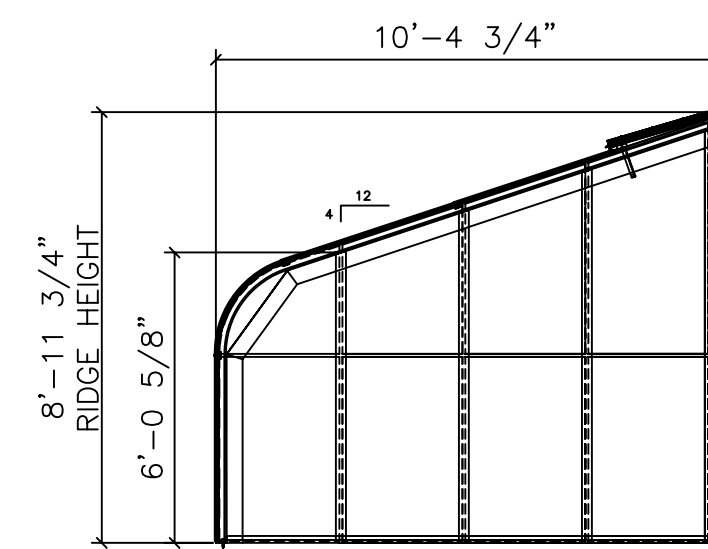
Standard Curved eave Lean-To Sizes



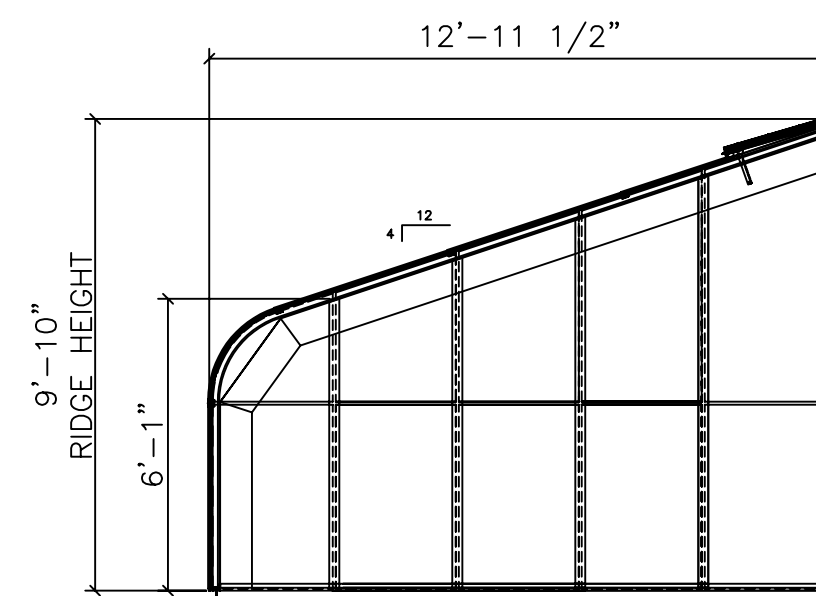
CAMELLIA 6



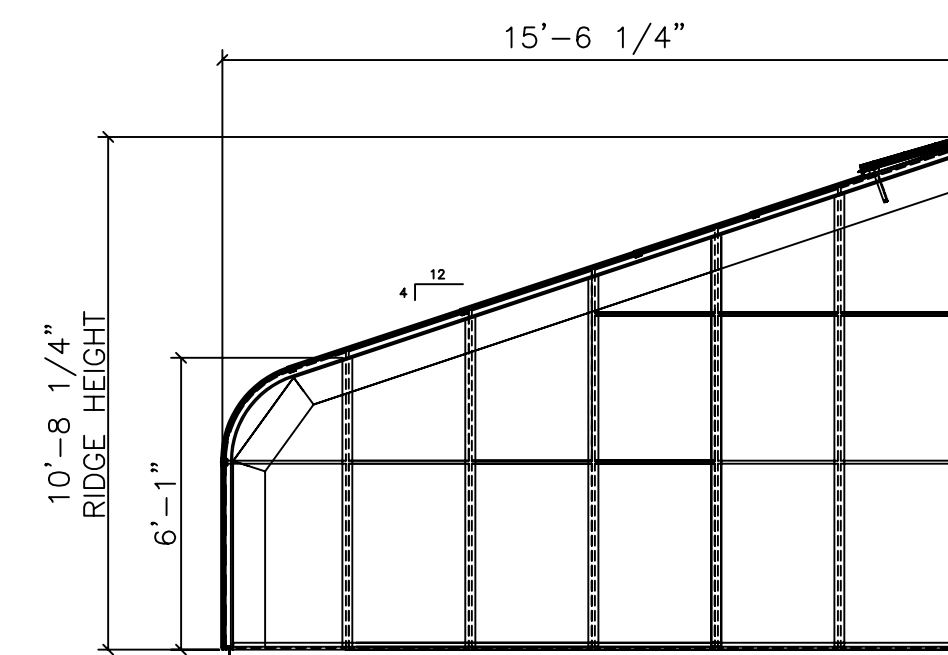
CAMELLIA 8



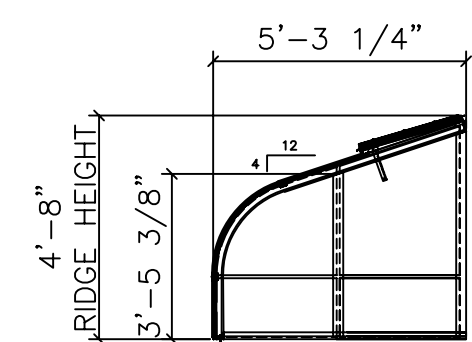
CAMELLIA 10



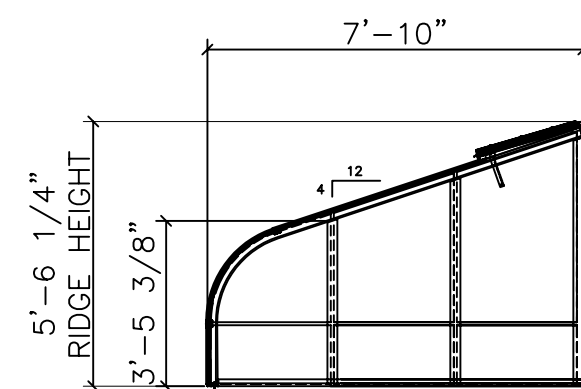
CAMELLIA 13



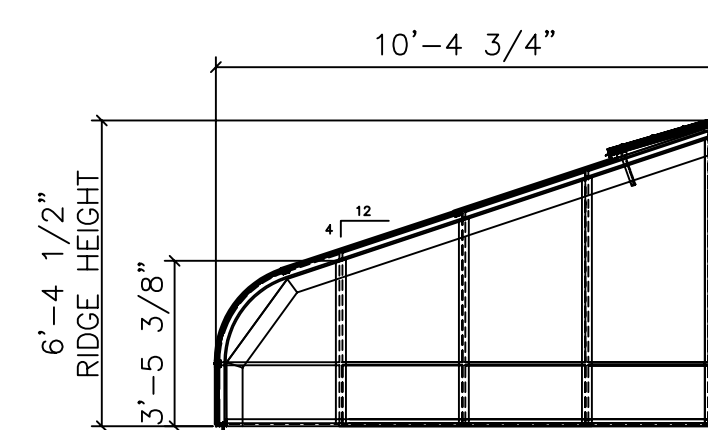
CAMELLIA 15



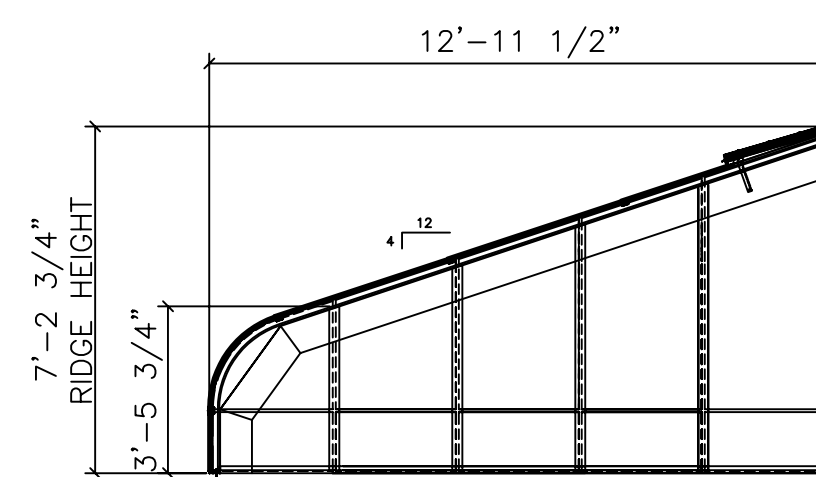
RANCHER 6



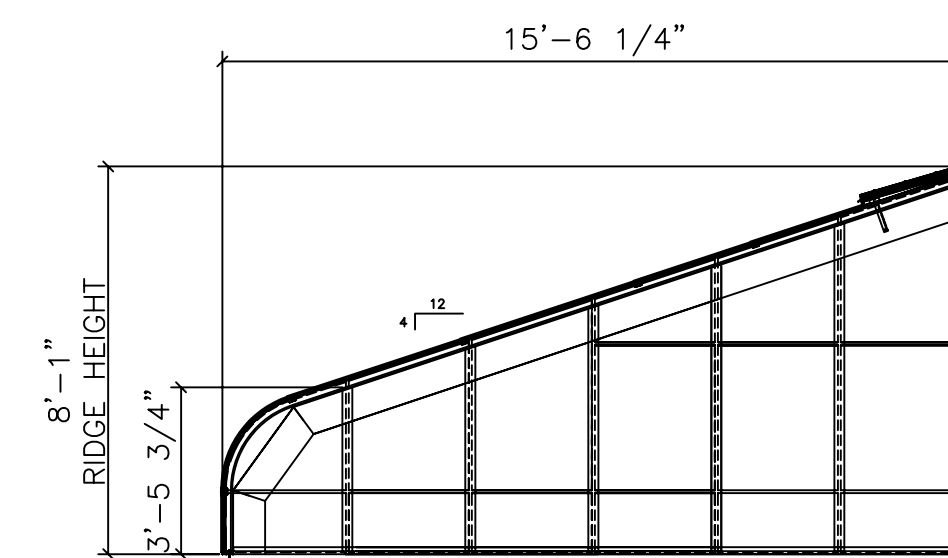
RANCHER 8



RANCHER 10



RANCHER 13



RANCHER 15

DRAWN/CHK'D: RMK  
ISSUED: 3/07/16

CUSTOMER: STANDARD SIZES

END USER: CURVED EAVE MODELS

CODE IDENT NO: 2222  
DWG NO: RK-1

SCALE: 1/4" = 1'-0"

SHEET 1 OF 3

© 2016 JANCO INC.

Standard Length of System Sections

NO. of Sections	Length
1	2'-10-3/4"
2	5'-5-1/2"
3	8'-1/4"
4	10'-7"
5	13'-1-3/4"
6	15'-8-1/2"
7	18'-3-1/4"
8	20'-10"
9	23'-4-3/4"
10	25'-11-1/2"
11	28'-6-1/4"
12	31'-1"
13	33'-7-3/4"
14	36'-2-1/2"
15	38'-9-1/4"
16	41'-4"
17	43'-10-3/4"
18	46'-5-1/2"
19	49'-1/4"
20	51'-7"
21	54'-1-3/4"
22	56'-8-1/2"
23	59'-3-1/4"
24	61'-10"
25	64'-4-3/4"
26	66'-11-1/2"
27	69'-6-1/4"
28	72'-1"
29	74'-7-3/4"
30	77'-2-1/2"
31	79'-9-1/4"
32	82'-4"
33	84'-10-3/4"
34	87'-5-1/2"
35	90'-1/4"
36	92'-7"
37	95'-1-3/4"
38	97'-8-1/2"
39	100'-3-1/4"
40	102'-10"

Add on Per Panel 30-3/4"